

CM6126

Single-Channel Transient Voltage Suppressor

Product Description

The CM6126 is an *Application Specific Integrated Passive™* (ASIP™) component in a 2 x 2, 4-bump, 0.5 mm pitch, CSP form factor. This device is designed for:

- Transient Voltage Suppression
- Electrostatic Discharge Protection
- Electrical Overstress Protection

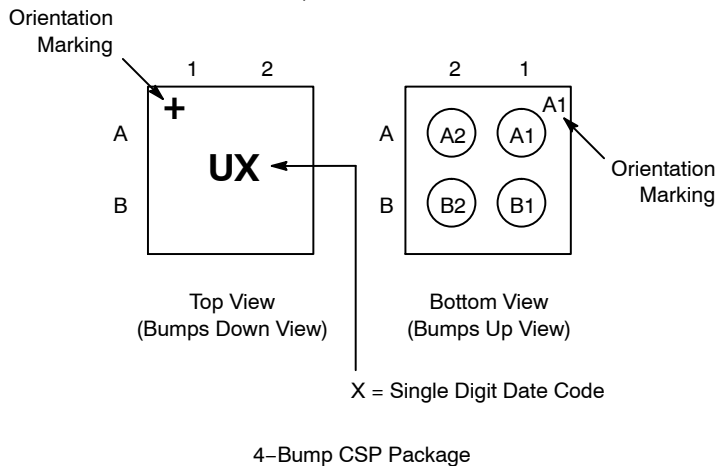
Features

- 4-Bump, 0.96 mm X 0.96 mm Footprint Chip Scale Package (CSP)
- These Devices are Pb-Free and are RoHS Compliant

Table 1. PIN DESCRIPTIONS

4-bump CSP Package	
Pin	Description
A1 and A2	TVS Channel
B1 and B2	Device Ground

PACKAGE / PINOUT DIAGRAMS



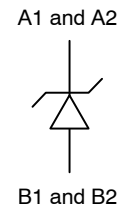
ON Semiconductor®

<http://onsemi.com>



**WLCSP4
CASE 567AW**

ELECTRICAL SCHEMATIC



MARKING DIAGRAM



U = CM6126
X = Single Digit Date Code

ORDERING INFORMATION

Device	Package	Shipping†
CM6126	WLCSP4 (Pb-Free)	5000/Tape & Reel

†For information on tape and reel specifications, including part orientation and tape sizes, please refer to our Tape and Reel Packaging Specification Brochure, BRD8011/D.

CM6126

ELECTRICAL SPECIFICATIONS AND CONDITIONS

Table 2. PARAMETERS AND OPERATING CONDITIONS

Parameter	Rating	Units
Storage Temperature Range	-55 to +150	°C
Operating Temperature Range	-30 to +85	°C

Table 3. ABSOLUTE RATINGS

Parameter	Rating	Units
Failing to nonconductive, I^2t (Maximum I_{PP} value using 10/1000 μ s pulse). See Notes 1 and 2.	100	A

1. The device must not burn to open-circuit, when the value is below maximum I_{PP} .
2. This parameter is characterized using an ON Semiconductor-specific test board.

Table 4. ELECTRICAL OPERATING CHARACTERISTICS (Note 1)

Symbol	Parameter	Conditions	Min	Typ	Max	Units
I_{OFF}	Stand-off quiescent current	Stand-off voltage $V_{OFF} = 10$ V			500	nA
V_{BR}	Break down voltage	Break down current $I_{BR} = 15$ mA	16			V
V_{CL}	Clamping voltage during transient	Clamping current $I_{CL} = 1$ A (Note 3)			20	V
V_F	Forward voltage	Forward current $I_F = 850$ mA			1.3	V
C_{L1}	Line capacitance	$V_{BIAS} = 0$ V		280		pF
C_{L2}		$V_{BIAS} = 5$ V; $T_A = 25^\circ$ C	100	135		pF
V_{ESD}	ESD Protection Peak Discharge Voltage at any channel input a) Contact Discharge per IEC 61000-4-2 standard b) Air Discharge per IEC 61000-4-2 standard	$T_A = 25^\circ$ C (Note 2)				kV
f_C	Minimum Attenuation Freq = 80 MHz - 1 GHz Freq = 1 - 4 GHz	$R_{SOURCE} = R_{LOAD} = 50$ Ω $T_A = 25^\circ$ C		11 20		dB

1. All parameters specified for $T_A = -30^\circ$ C to 85° C unless otherwise noted.
2. Standard IEC 61000-4-2 with $C_{Discharge} = 150$ pF, $R_{Discharge} = 330$ Ω .
3. Transient: 8 x 20 μ s current pulse.

CM6126

RF CHARACTERISTICS

$T_A = 25^\circ\text{C}$, DC bias = 0 V/ 5 V, 50 Ω Environment

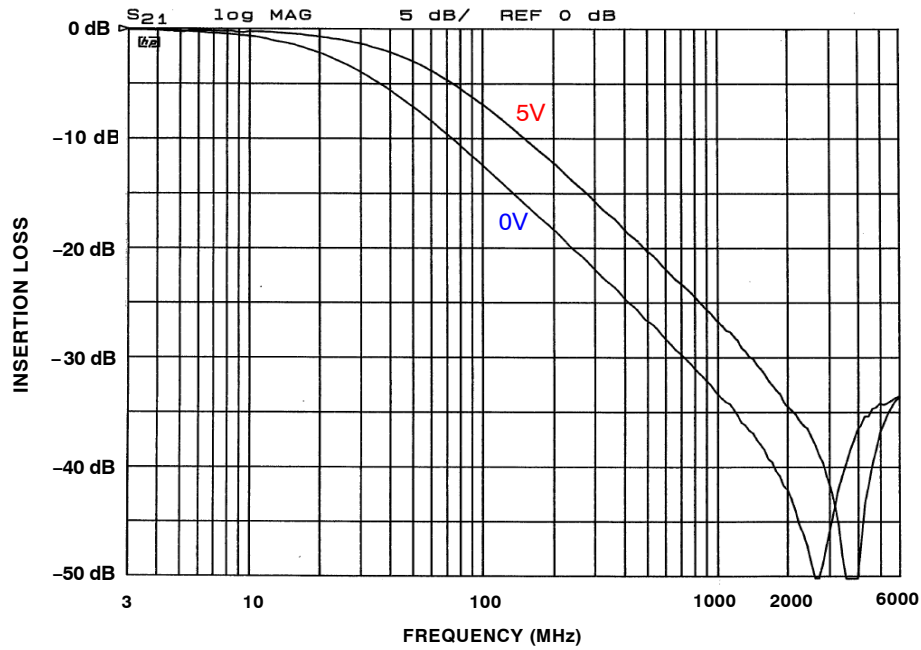


Figure 1. Insertion Loss (0 V and 5 V Bias)

MECHANICAL SPECIFICATION

Table 5. VERTICAL STRUCTURE DIMENSIONS (nominal)

Ref.	Parameter	Material	Dimension
a	Die Thickness	Silicon	406 μm
b	Bump Standoff		240 μm
d	UBM-(Ti/Cu)	Plated Cu	7 μm
		Sputtered Cu	0.4 μm
		Sputtered Ti	0.1 μm
e	UBM Wetting Area Diameter		280 μm
f	Solder Bump Diameter after Bump Reflow		320 μm
c	Metal Pad	AlSiCu	1.5 μm
g	Metal Pad Diameter		324 μm
D2			0.406 mm
D1	Finished Thickness		0.650 mm

Vertical Structure Specification*

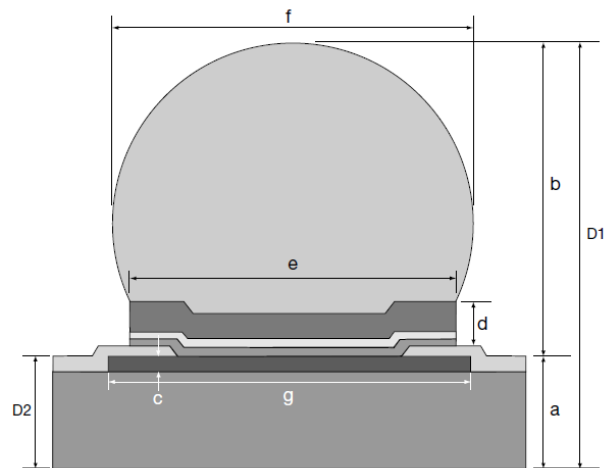


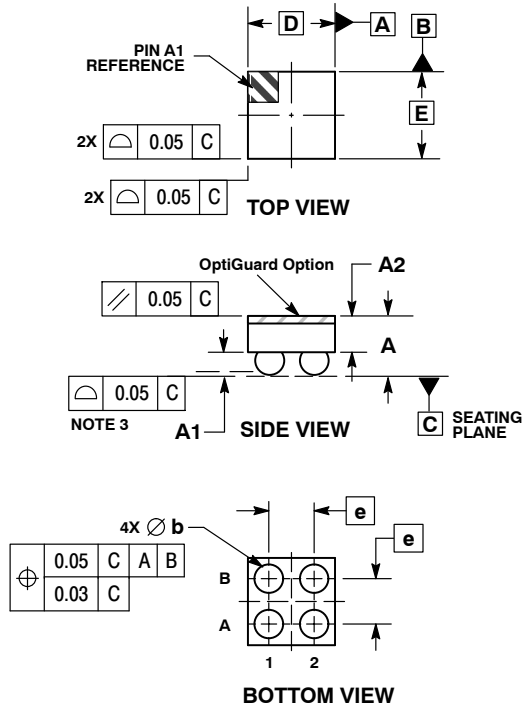
Figure 2. Sectional View

* Daisy Chain CM6010

CM6126

PACKAGE DIMENSIONS

WLCSP4, 0.96x0.96
CASE 567AW-01
ISSUE O

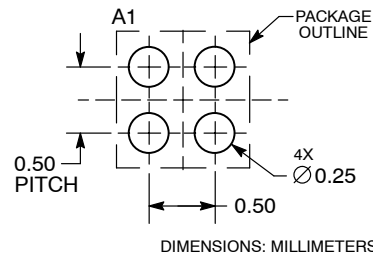


NOTES:

1. DIMENSIONING AND TOLERANCING PER ASME Y14.5M, 1994.
2. CONTROLLING DIMENSION: MILLIMETERS.
3. COPLANARITY APPLIES TO SPHERICAL CROWNS OF SOLDER BALLS.

MILLIMETERS		
DIM	MIN	MAX
A	0.56	0.72
A1	0.21	0.27
A2	0.42 REF	
b	0.29	0.35
D	0.96 BSC	
E	0.96 BSC	
e	0.50 BSC	

RECOMMENDED SOLDERING FOOTPRINT*



*For additional information on our Pb-Free strategy and soldering details, please download the ON Semiconductor Soldering and Mounting Techniques Reference Manual, SOLDERRM/D.

Application Specific Integrated Passive is a trademark of Semiconductor Components Industries, LLC (SCILLC).

ON Semiconductor and are registered trademarks of Semiconductor Components Industries, LLC (SCILLC). SCILLC reserves the right to make changes without further notice to any products herein. SCILLC makes no warranty, representation or guarantee regarding the suitability of its products for any particular purpose, nor does SCILLC assume any liability arising out of the application or use of any product or circuit, and specifically disclaims any and all liability, including without limitation special, consequential or incidental damages. "Typical" parameters which may be provided in SCILLC data sheets and/or specifications can and do vary in different applications and actual performance may vary over time. All operating parameters, including "Typicals" must be validated for each customer application by customer's technical experts. SCILLC does not convey any license under its patent rights nor the rights of others. SCILLC products are not designed, intended, or authorized for use as components in systems intended for surgical implant into the body, or other applications intended to support or sustain life, or for any other application in which the failure of the SCILLC product could create a situation where personal injury or death may occur. Should Buyer purchase or use SCILLC products for any such unintended or unauthorized application, Buyer shall indemnify and hold SCILLC and its officers, employees, subsidiaries, affiliates, and distributors harmless against all claims, costs, damages, and expenses, and reasonable attorney fees arising out of, directly or indirectly, any claim of personal injury or death associated with such unintended or unauthorized use, even if such claim alleges that SCILLC was negligent regarding the design or manufacture of the part. SCILLC is an Equal Opportunity/Affirmative Action Employer. This literature is subject to all applicable copyright laws and is not for resale in any manner.

PUBLICATION ORDERING INFORMATION

LITERATURE FULFILLMENT:
Literature Distribution Center for ON Semiconductor
P.O. Box 5163, Denver, Colorado 80217 USA
Phone: 303-675-2175 or 800-344-3860 Toll Free USA/Canada
Fax: 303-675-2176 or 800-344-3867 Toll Free USA/Canada
Email: orderlit@onsemi.com

N. American Technical Support: 800-282-9855 Toll Free USA/Canada
Europe, Middle East and Africa Technical Support:
Phone: 421 33 790 2910
Japan Customer Focus Center
Phone: 81-3-5773-3850

ON Semiconductor Website: www.onsemi.com
Order Literature: <http://www.onsemi.com/orderlit>
For additional information, please contact your local Sales Representative